

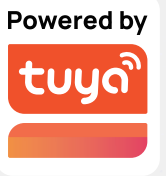
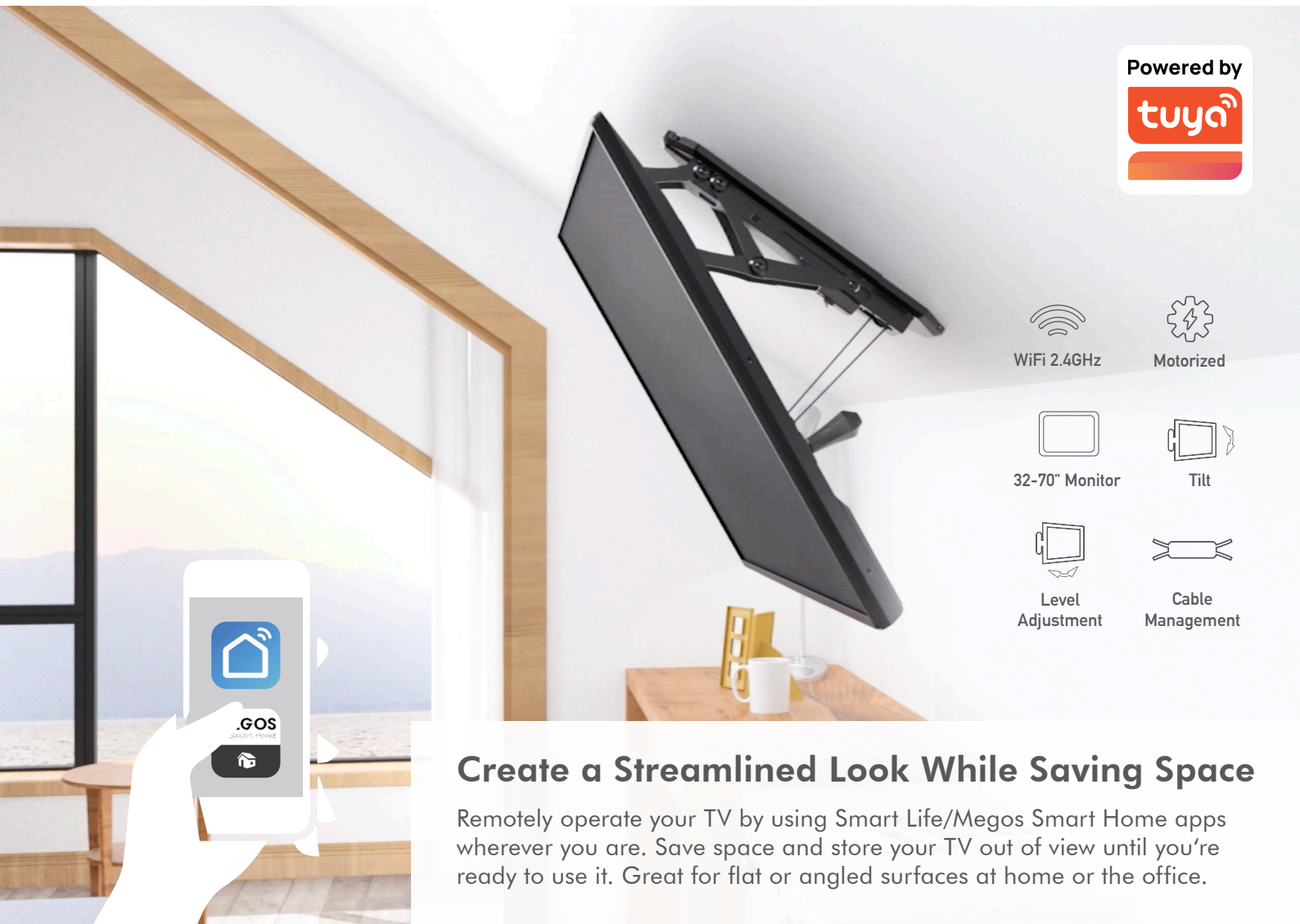


LogiLink®

TV Ceiling Mount with Remote & Tuya Control

32-70" Flat/Curved TV, Electrically Tilttable

Art. No.: BP0159



WiFi 2.4GHz



Motorized



32-70" Monitor



Tilt



Level Adjustment



Cable Management

Create a Streamlined Look While Saving Space

Remotely operate your TV by using Smart Life/Megos Smart Home apps wherever you are. Save space and store your TV out of view until you're ready to use it. Great for flat or angled surfaces at home or the office.



Smart Life



Megos Smart Home

Search **Smart Life** or **Megos Smart Home** on the App store or Google Play store



BP0159

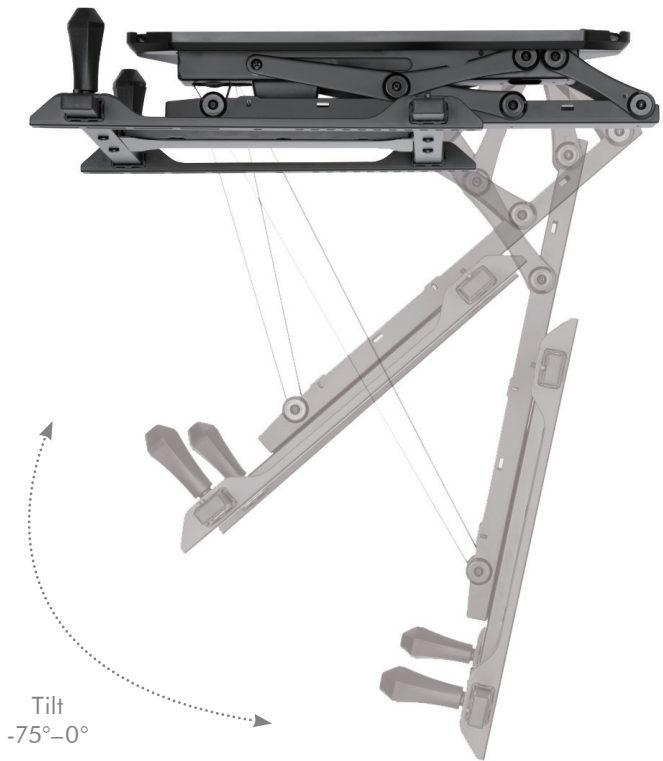


4 052792 066975

Made in China



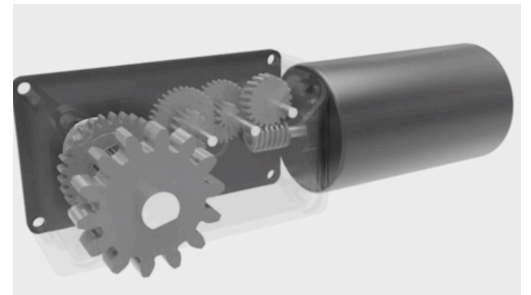
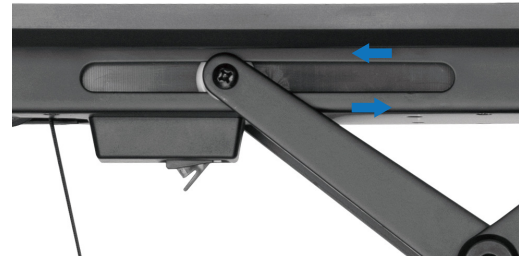
*The specifications and pictures are subject to change without prior notice.
*All trade names referenced are the registered trademarks of their respective owners.



Tilt
-75°-0°

Well-Balanced & Powerful Motor

An extremely stable and durable mechanism that prevents shaking, resulting in smooth and fluid movements.



flat surface

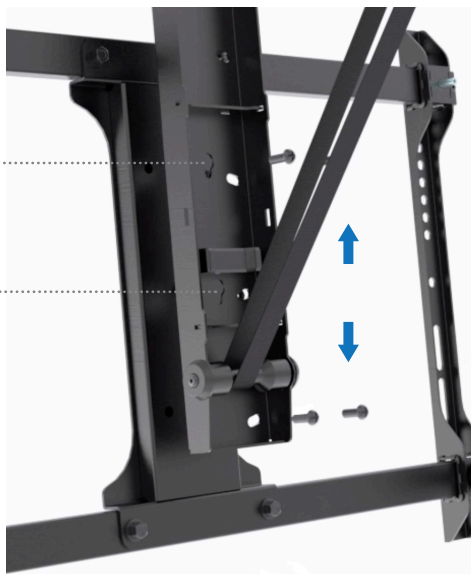


angled surface



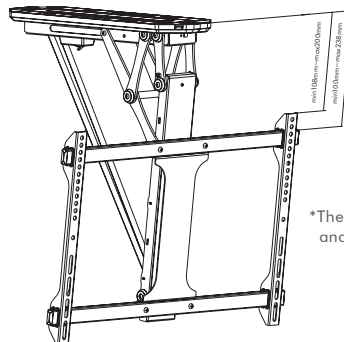
High-Strength Steel Construction with Stability Legs

For TVs up to 70" or a maximum load of 35 kg; legs provide added stability and safety during retraction.

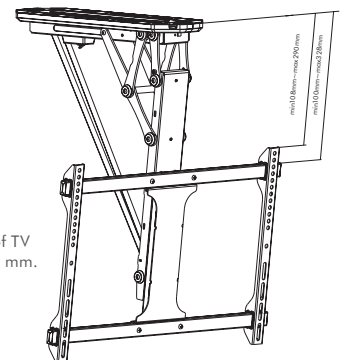


Hole 1

Hole 2



Hang the TV with hole 1



Hang the TV with hole 2

*The distance between the top of TV and ceiling must be at least 25 mm.

Keyhole Design

Easily adjust for the desired height before mounting the TV.



Various Control Choices

The ceiling TV mount can be controlled through remote control or your existing Wi-Fi network via two free **Smart Life** and **Megos Smart Home** Apps. Easily control viewing angles and store your TV.



Smart Life



Megos Smart Home



BP0159



4 052792 066975

Made in China



*The specifications and pictures are subject to change without prior notice.
*All trade names referenced are the registered trademarks of their respective owners.

Specifications:

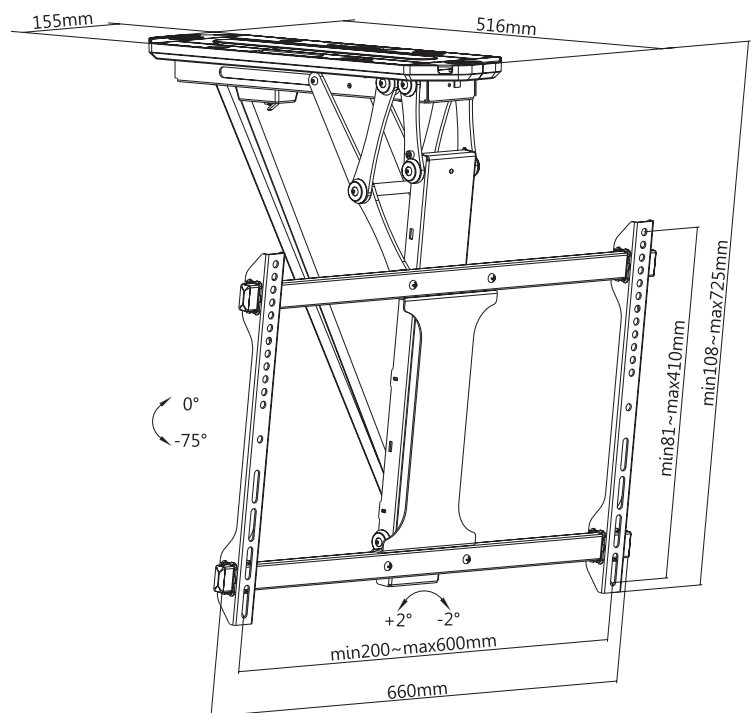
Wireless Standard	IEEE 802.11b/g/n
Frequency Range	2.412–2.472 MHz
Max. Transmission Power	7,943 mW
Rated Voltage	Input: AC 100–240 V 50/60 Hz; Output: DC 24 V, 1,5 A
Max. Power Consumption	18 W
Fit Screen Size	32–70"
Weight Capacity	35 kg
Compatible VESA	200x100, 200x200, 200x400, 300x200, 300x300, 400x200, 400x300, 400x400, 600x400
Wall Clearance	108 mm
Strength Tested	3 Times
Tilt	-75°–0°
Screen Level	-2°–2°
Remote Control	Yes
Battery for Remote	2 x AAA batteries (not included)
Operation Distance (In Open Area)	Up to 20 m
Protection Class	IP20
Working Temperature	-10–50°C
Working Humidity	20–80% RH (no condensation)
Color	Black
Dimensions	71 x 66,4 x 51,6 cm
Weight	2,164 kg
System Requirements	Android 5 or above / iOS 11 or above

Package Contents:

- » 1x TV Ceiling Mount
- » 1x Remote Control
- » 1x Screw Package
- » 1x User Manual

Package Information:

- » Packing Dimension: 740 x 298 x 162 mm
- » Packing Weight: 10 kg
- » Carton Dimension: 760 x 318 x 345 mm
- » Carton Q'ty: 2 pcs
- » Carton Weight: 21,64 kg



*The specifications and pictures are subject to change without prior notice.
*All trade names referenced are the registered trademarks of their respective owners.



BP0159



4 052792 066975

Made in China